








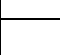



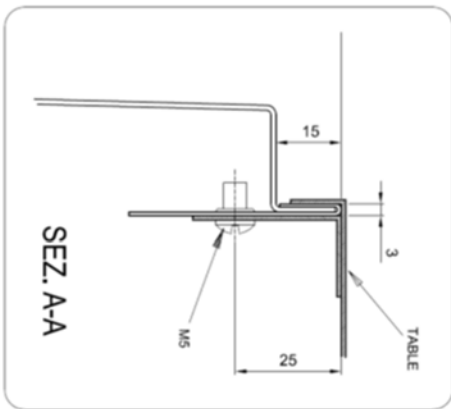
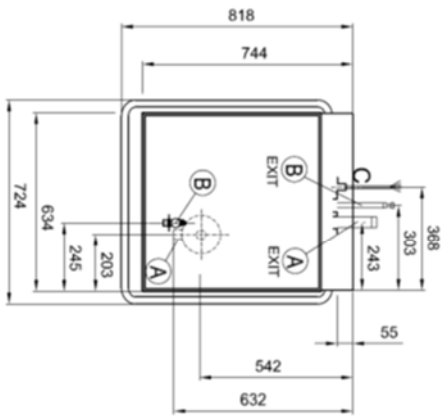
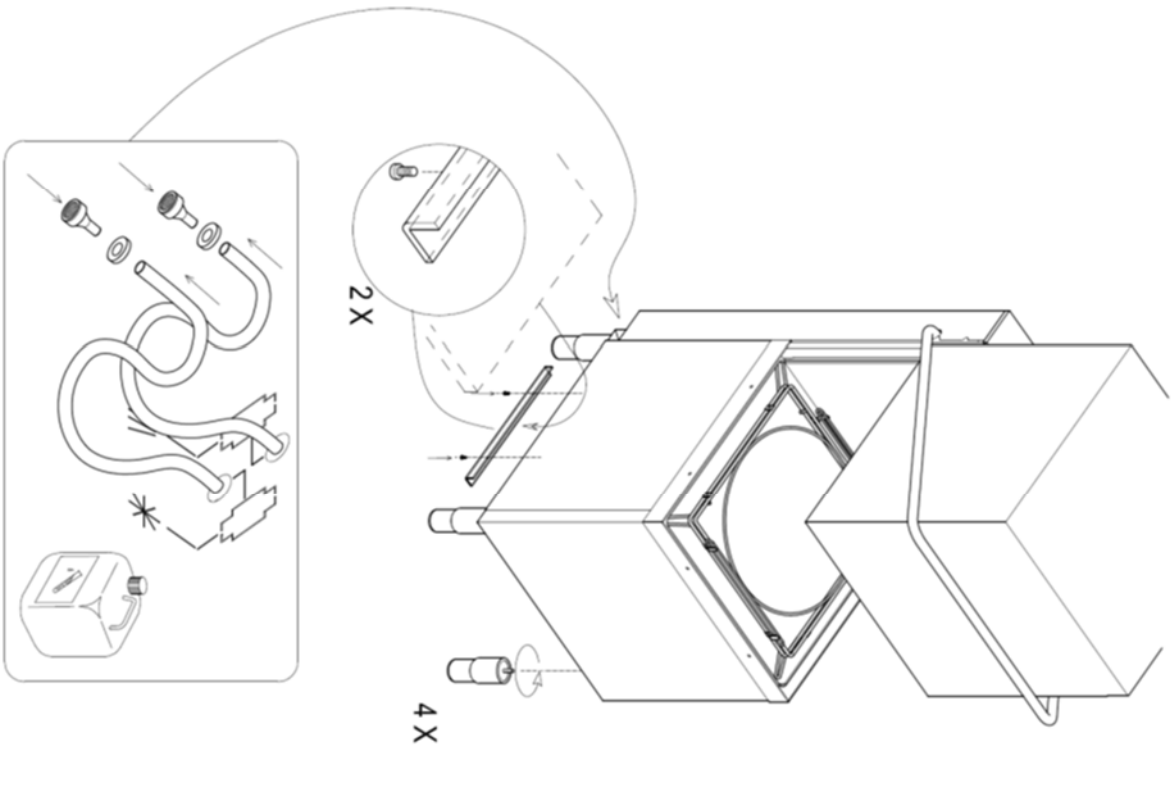
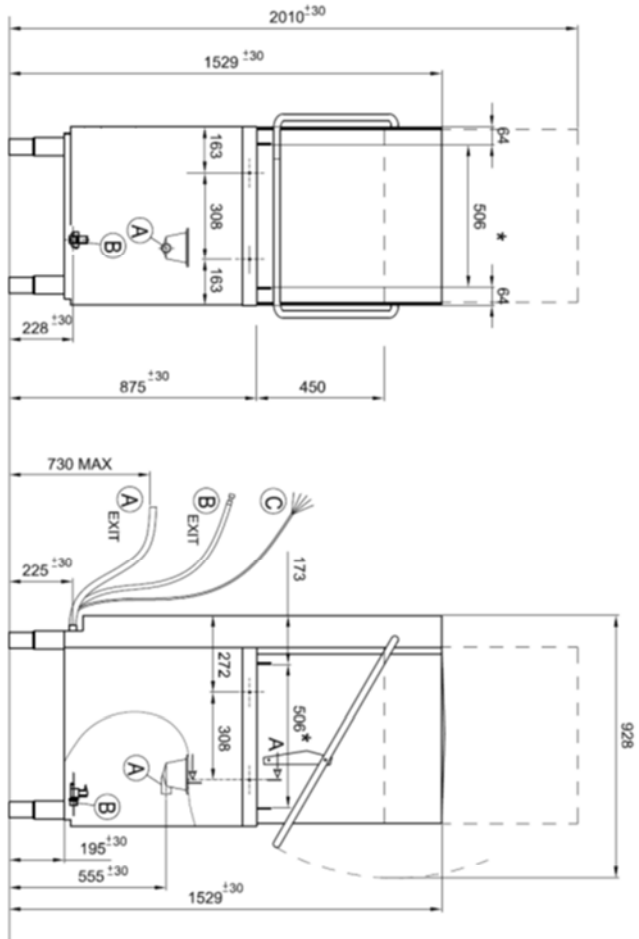
	Model	isytech 38-10 D	
	Code Production	IT3810CDD	
Interface :			
	Overall Dimension (Width-Depth-Height) *open	mm	724 - 818 - 1529(*2010)
	Packaging Dimension (WxDxH)	mm	760x840x1520
	Gross weight	Kg	120
	Net weight	Kg	110
	Volume	mc	0,98
	Rack size	mm	500x500
	Max door /hood opening	mm	450
	Max glasses/plate Height	mm	425
	General construction		double skin
	Door/hood Construction		double skin
	Tank construction		deep drawn
	Tank volume	liter	15
	Tank heating element	W	2.100
	Tank surface strainers		Yes- composite
	Wash pump type		double flow
	Wash pump power	W	470
	Wash temperature	°C	60 (45-->72)
	Boiler type		pressurized
	Boiler volume	liter	6
	Back-flow system		Valve
	Boiler heating element	W	7.000
	Rinse booster pump		NO
	Rinse booster pump power	W	-
	Rinse temperature	°C	80 (60-->88)
	Rinse water consumption	Liter /rack	2,0
	Optimal external water pressure	bar	2 - 4
	Drain system		overflow
	Drain filter		double filter
	Drain pump		optional
	Rinse aid dispenser	peristaltic	YES
	Detergent dispenser	peristaltic	YES
	Wash cycle	sec	60 - 90 - 180
	Special cycle	programs	n°4
	Self cleaning cycle		YES
	Electric Power	W	9.600
	Electric Connection	V - ph - Hz	400V 3N 50Hz
	Fuse	A	16
	Plates racks	n° 1	780131
	Flat Rack	n° 1	780132
	Cutterly Rack	n° 1	780139
	Electric cable	n° 1	YES
	Drain hose	n° 1	YES
	Fill hose	n° 1	YES

A		∅ 35 mm M	A	EXIT	∅ 25 mm M
B		G 3/4" M	B	EXIT	G 3/4" F
C		Power supply			



* LUCE UTILE PER CESTELLO
USEFUL SPACE FOR BASKET
LUMIERE UTILE POUR PANIER
NUTZBARE OFFENUNG FÜR KORBE
ABERTURA UTIL PARA CESTO



Installation layout
MUNICI: _____
Date: 15.07.2014
Dipartimento: _____
Hood type with drain pump
NH50PS 00
Code: _____
Rev: _____

